

## Intermediate plates / Throttle / Check valve

**Type ZP700 / BL700 /  
RV700**  
NG 6 up to 25 l/min

### Features

- Intermediate plates for the installation of orifices and check valves
- Intermediate plates with threaded connections for measuring instruments



### Applications

- as subplate
- as check valve
- for orifices
- tower-type interlinkage

### Technical data

Hydraulic fluid	Mineral oil according to DIN 51524 (other fluids on request)
Fluid temperature range	- 20 bis 80 °C
Ambient temperature range	- 30 to 50 °C
Viscosity range	5 to 400 mm <sup>2</sup> /s
Porting	NG 6 according to DIN 24340/ISO 4401/CETOP RP 121 H
Max. operating pressure connection P, A, B	700 bar
Max. operating pressure connection T	350 bar
Max. flow rate	25 l/min
Filtration (recommendation)	According to NAS 1638, class 6 or ISO/DIN 4406 17/15/12
Weight	See dimensional drawings
Material/surface treatment	Steel: galvanized, black chromated

## Order code

<b>Example</b>	<b>ZP</b>		<b>700</b>	-	<b>6</b>	-	<b>PA</b>	-	<b>G1/2</b>	-	<b>V</b>	-			<b>00</b>
<b>Intermediate plate</b>	ZP														
<b>Type</b>	BV700														
<b>Port size</b>	6														
<b>Threaded connection</b>	PA	P and A													
	PB	P and B													
	AB	A and B													
	X	No connection													
<b>Thread</b>	G1/4	G 1/4"-connection													
	G1/2	G 1/2"-connection													
	X	No external connection													
<b>Seal material</b>	V	[FPM]													
	other seal material on request														
<b>Special design</b>															
01 ... 99 (00 for standard)															
<b>Part index</b>															
Please leave blank (small letters a-d; different letters do not effect interchangeability)															
<b>Desing revision</b>															
Capital letters A-Z; identical letters equal same connecting dimensions															

<b>Example</b>	<b>BL</b>		<b>700</b>	-	<b>6</b>	-	<b>D8</b>	-	<b>0.4</b>	-			<b>00</b>		
<b>Orifice</b>	BL														
<b>Type</b>	BV700														
<b>Port size</b>	6														
<b>Outside diameter</b>	D8	(Diameter 8mm)													
<b>Orifice diameter</b>	see table (page 4)														
<b>Special design</b>															
01 ... 99 (00 for standard)															
<b>Part index</b>															
Please leave blank (small letters a-d; different letters do not effect interchangeability)															

**Example**

	<b>RV</b>	<b>700</b>	-	<b>6</b>	-	<b>D8</b>	-	<b>V</b>	-		<b>00</b>
--	-----------	------------	---	----------	---	-----------	---	----------	---	--	-----------

<b>Check valve</b>	RV
<b>Type</b>	BV700
<b>Port size</b>	6
<b>Outside diameter</b>	D8 (Diameter 8mm)
<b>Seal material</b>	V [FPM] other seal material on request

**Special design**  
01 ... 99  
(00 for standard)

**Part index**  
Please leave blank (small letters a-d; different letters do not effect interchangeability)

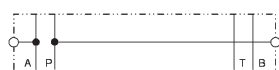
### Product information intermediate plate

Type	Threaded connections	Thread ["]	Weight ca. [kg]	Part No.
ZP700-6-PA-G1/4-V-A*00	P and A	G 1/4	1,3	4053275
ZP700-6-PA-G1/2-V-A*00	P and A	G 1/2	1,3	3678757
ZP700-6-PB-G1/4-V-A*00	P and B	G 1/4	1,3	4053482
ZP700-6-PB-G1/2-V-A*00	P and B	G 1/2	1,3	4053276
ZP700-6-AB-G1/4-V-A*00	A and B	G 1/4	1,3	4053281
ZP700-6-AB-G1/2-V-A*00	A and B	G 1/2	1,3	4053282
ZP700-6-X-X-V-A*00	No connections	No thread	0,5	3678759

**Note:** For each plate in the delivery included are 4 pcs. O-Ring, D9.25xd1.78, 90° ShA

### Hydraulic schematics

P and A



P and B



A and B

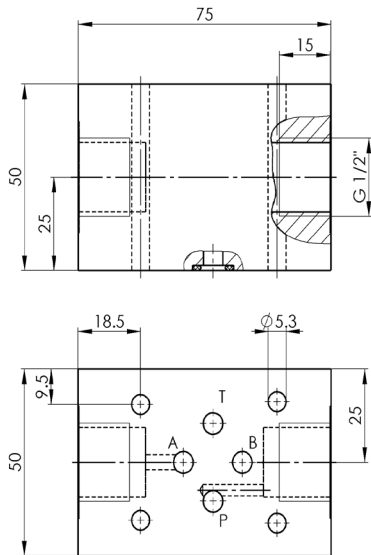


No connections

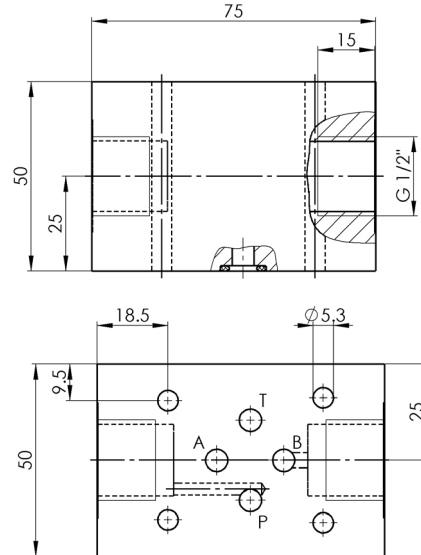


Dimensional drawings / Design revision A

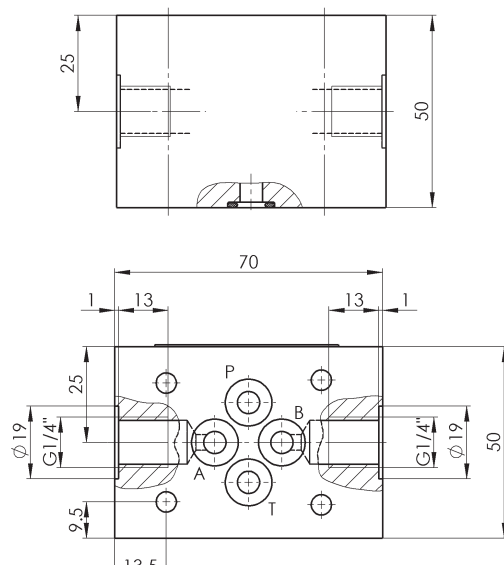
P and A



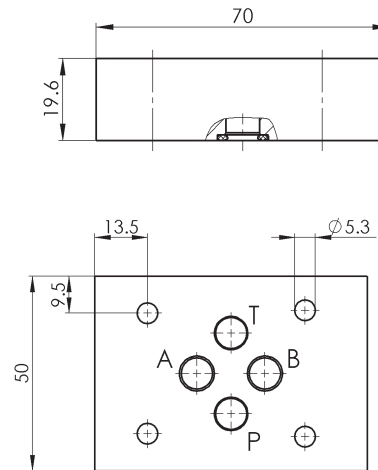
P and B



A and B

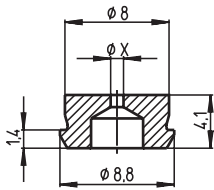
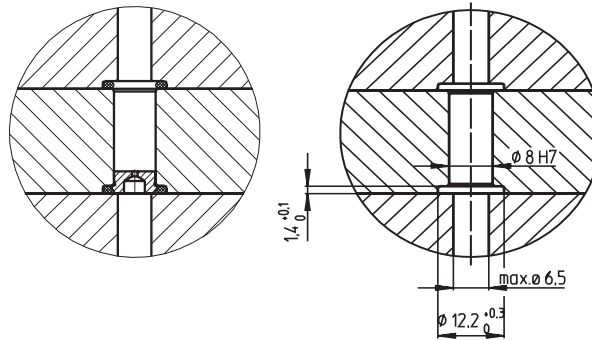


No connections



**Product information throttles/check valve****Throttles (only for intermediate plate without connections)**

Type	$\varnothing X$ [mm]	Part No.	Type	$\varnothing X$ [mm]	Part No.
BL700-6-D8-0.4*00	0,4	3687933	BL700-6-D8-1.3*00	1,3	3687964
BL700-6-D8-0.5*00	0,5	3687934	BL700-6-D8-1.4*00	1,4	3656890
BL700-6-D8-0.6*00	0,6	3687955	BL700-6-D8-1.5*00	1,5	3687965
BL700-6-D8-0.7*00	0,7	3687956	BL700-6-D8-1.6*00	1,6	3687966
BL700-6-D8-0.8*00	0,8	3687958	BL700-6-D8-1.7*00	1,7	3687967
BL700-6-D8-0.9*00	0,9	3687960	BL700-6-D8-1.8*00	1,8	3687968
BL700-6-D8-1.0*00	1,0	3687961	BL700-6-D8-1.9*00	1,9	3687969
BL700-6-D8-1.1*00	1,1	3687962	BL700-6-D8-2.0*00	2,0	3687970
BL700-6-D8-1.2*00	1,2	3687963			

**Dimensional drawing****Mounting drawing**

## Product information check valve

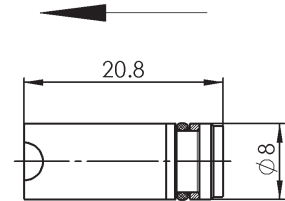
Check valve (only for intermediate plate without connections)

Type	Part No.
RV700-6-D8-V-A*00	3685929

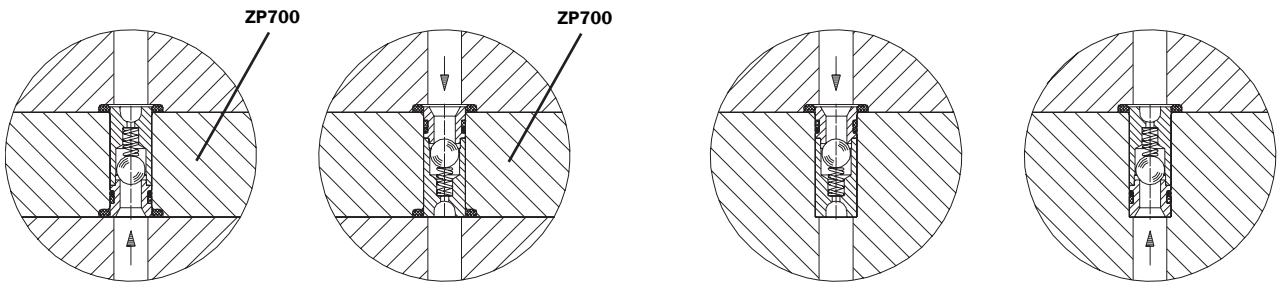
$\Delta p$  bei 25 l/min ca. 6 bar

Hydraulic schematics

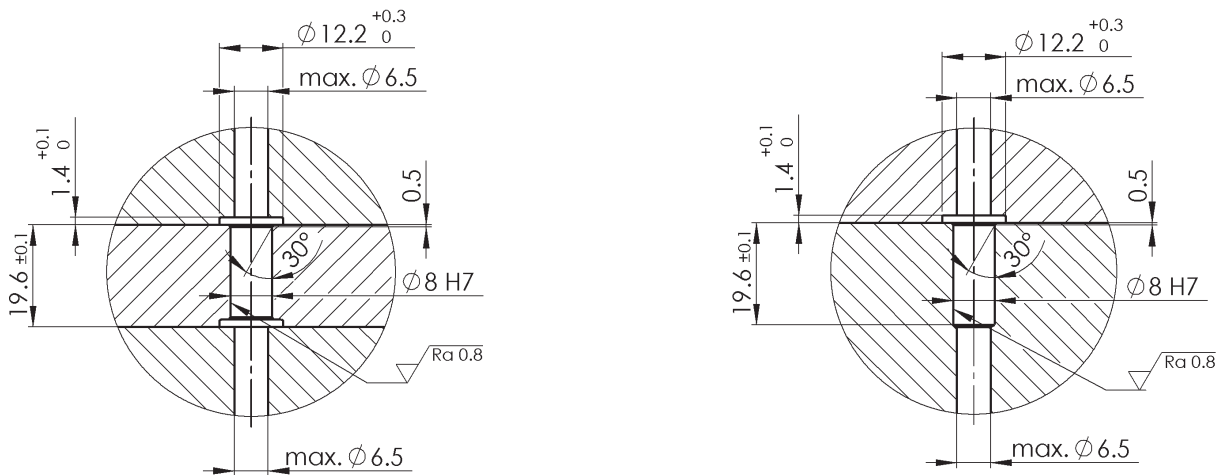
Dimensional drawing



### Mounting possibilities



### Carity drawing



### Bieri Hydraulik AG

Könizstrasse 274  
CH-3097 Liebefeld  
Tel. +41 31 970 09 09 | Fax +41 31 970 09 10  
info@bierihydraulics.com | www.bierihydraulics.com

The information in this brochure relates to the operating conditions and applications described.

For applications and operating conditions not described, please contact the relevant technical department.

Subject to technical modifications.